

400 SERIES
200 SERIES
EXTERIOR TRIM

A NEW SYSTEM FOR
TRIMMING
WINDOWS, DOORS AND TIME.

THE PROCESS OF INSTALLING TRIM JUST BECAME **LESS OF A PROCESS.**

Presenting Andersen® Exterior Trim for 400 Series and 200 Series windows and doors. It's the first exterior trim that installs in about five minutes. It **eliminates measuring, cutting, mitering and filling nail holes**, while providing an exceptional fit and finish. What's more, you can create a variety of window, door and trim color combinations. All of which makes your project beautiful any way you look at it.

ANDERSEN
I N N O V A T I O N



APPEARANCE



Style that gets noticed.

Designed for Andersen® products, our thick trim profiles overlap the window frame to create clean shadow lines without visible sealant joints. Mitered brick mould corners and butt joints on flat trim reflect traditional corner joints.

A wide range of colors.

Andersen® Exterior Trim is available in 11 factory-finished color options that add character and a finishing touch to any home.



FibreX® composite material contains 40% pre-consumer reclaimed wood fiber by weight, so it's environmentally smart. Plus, it's ideal for creating smooth, colorful matte finishes.

EASY TO INSTALL

Innovative trim attachment strip.

Trim surrounds connect quickly and securely to a unique attachment strip that is fastened to the framing after the window is installed.

- No filling nail holes.
- No visible fasteners.
- No painting.

Simply snap on the Andersen® trim surround and you're done. Our durable, color-matched factory finish doesn't require painting.



Cocoa Bean trim with Sandtone window

Time-saving and cost-effective.

Preassembled surrounds and factory-finished exteriors can save time and reduce labor.



Andersen® preassembled trim surrounds typically install in about five minutes per unit.

PERFORMANCE

Low on maintenance. High on performance.

The Andersen® Exterior Trim system provides a complete factory-finished design solution that's virtually maintenance-free. Made with patented Fibrex® material, it never needs painting and won't fade, flake, blister, chalk or peel, no matter what the climate.*

Independent of water management system for easy installation.

Simply install the window or door per the installation instructions, then apply the trim. Our trim is independent of the window's water management system, creating ease and confidence in the complete installation.

Even drip caps are included.

For added convenience, color-matched standard drip caps come with all trim surrounds and precut kits.



Quality so solid, the warranty is transferable.

The same industry-leading warranty that provides peace of mind for owners of Andersen® windows and doors also covers all Andersen® trim components.

CHOOSE YOUR TRIM STYLE

Whether it's an Arts & Crafts bungalow, a Colonial or the latest in contemporary design, there's an Andersen® Exterior Trim style that complements any architecture. From wide and flat to narrow with profiles that add character, there's a look for every home and homeowner.

STYLES



2" Brick Mould with sill nose
Dove Gray trim with Terratone® window



3 1/2" Flat with sill nose
Dark Bronze trim with White window



4 1/2" Flat with sill nose
Canvas trim with Forest Green window

HEAD TRIM OPTIONS



Decorative Drip Cap



2" Cornice



3 5/8" Cornice

CHOOSE YOUR COLOR COMBINATION

With a choice of 11 exterior trim colors and four window colors, you can match or complement your trim, window or door colors to create a wide range of combinations with beautiful, eye-catching curb appeal.



Red Rock trim with Sandtone window

CHOOSE YOUR WINDOW/DOOR COLOR



White

Sandtone

Terratone®

Forest Green

CHOOSE YOUR TRIM COLOR



White

Sandtone

Terratone®

Forest Green



Black



Dark Bronze



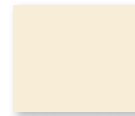
Cocoa Bean



Red Rock



Prairie Grass



Canvas



Dove Gray

An online trim visualizer, installation guides and videos are available at andersenwindows.com/exteriortrim.

PREASSEMBLED, PRECUT OR LINEAL OPTIONS



Preassembled Trim Surrounds

For maximum convenience, factory-assembled trim surrounds are available for most single window units. Some size limitations may apply.



Precut Trim Kits

Kits include precut and predrilled trim with all necessary components for easy on-site assembly for patio doors and larger windows.



Individual Trim Components

13-foot prefinished trim lineals, end caps, corner keys and field attachment strips allow for on-site fabrication of customized trim surrounds.

Cellular Fibrex® Trim Board

Andersen offers a 3 1/2" wide by 3/4" thick cellular Fibrex® trim board in 10-foot lengths. Available in the same 11 exterior colors as the exterior trim system, this solid trim board can be cut or ripped to size and can be fastened using nails or screws.

Curved Trim

Curved exterior trim is available for select curve-shaped windows in your home. It's made of highly durable urethane material for low maintenance and lasting beauty,* and offers the same color and style choices as our straight trim pieces. Check with your Andersen dealer for availability.

WINDOW & DOOR EXTERIOR TRIM

SIZE CHART FOR EXTERIOR TRIM

Follow this chart when calculating combined size of window and trim.

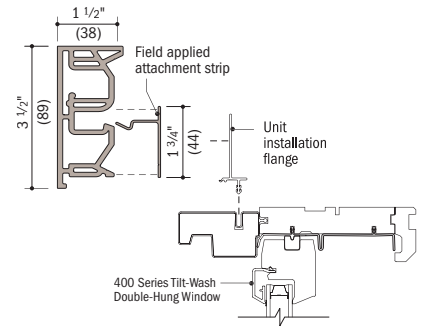
PROFILE	ADD TO HEIGHT/WIDTH
3 1/2" Flat	3 1/4" per side*
4 1/2" Flat	4 1/4" per side*
Brick Mould	1 3/4" per side*
Sill Nose	1 15/16"

*For Narroline® double-hung windows subtract 1/2" from the height dimension.

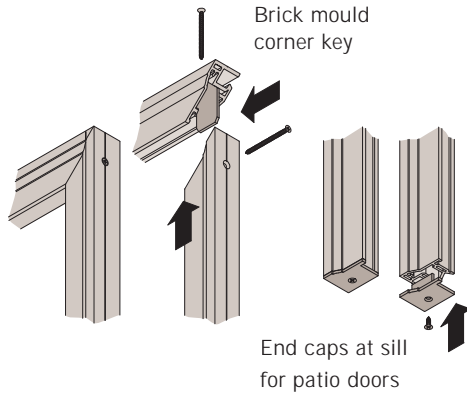
FIELD-APPLIED ATTACHMENT STRIP

Field attachment strip fastens to framing through the unit installation flange and flashing tape with screws. Trim connects securely to the field attachment strip.

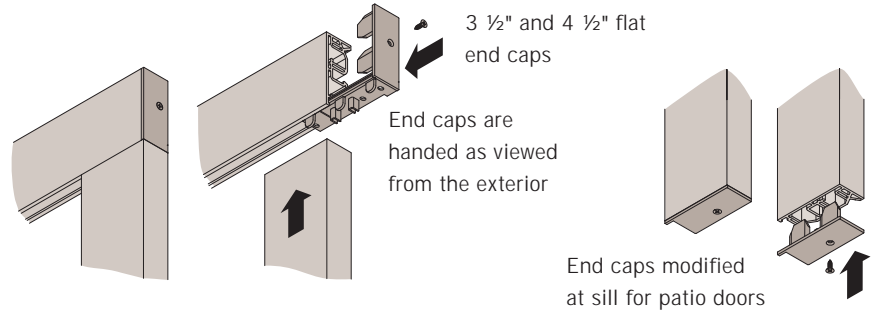
See installation guide for flashing instructions.



BRICK MOULD

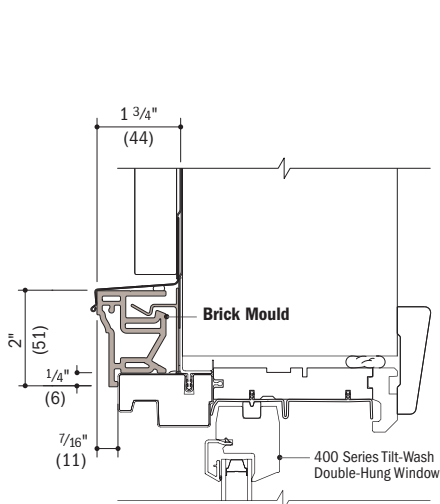


3 1/2" FLAT & 4 1/2" FLAT



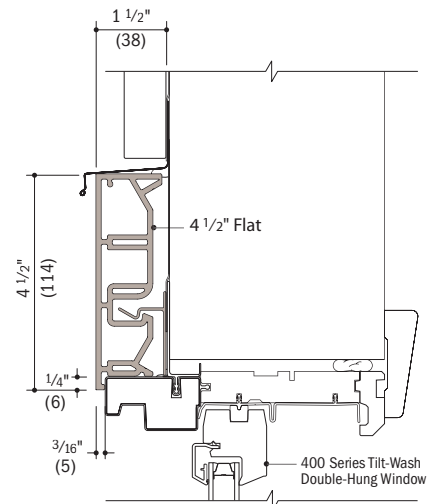
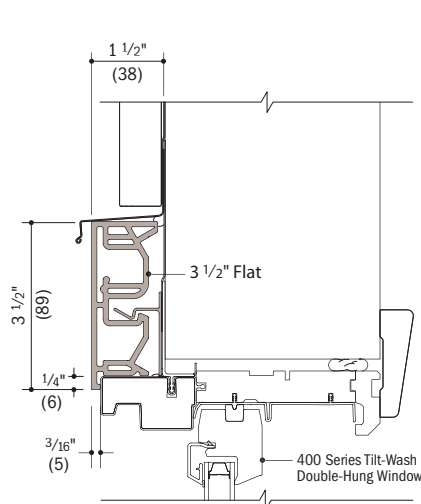
EXTERIOR TRIM DETAIL

Scale 3" = 1'-0" (1:4)

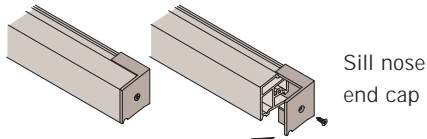


EXTERIOR TRIM DETAIL

Scale 3" = 1'-0" (1:4)



SILL NOSE

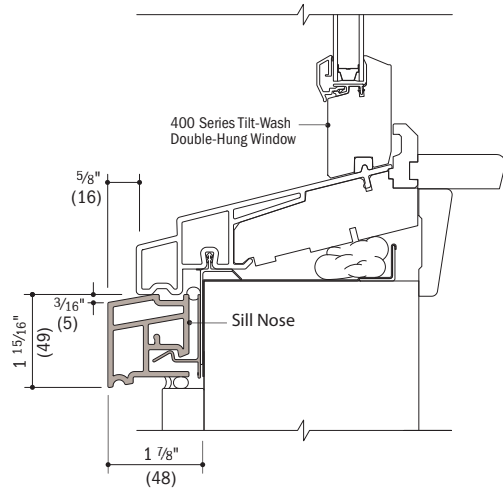


Sill nose
end cap

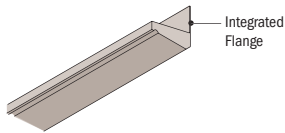
End caps are handed as
viewed from the exterior

EXTERIOR TRIM DETAIL

Scale 3" = 1'-0" (1:4)

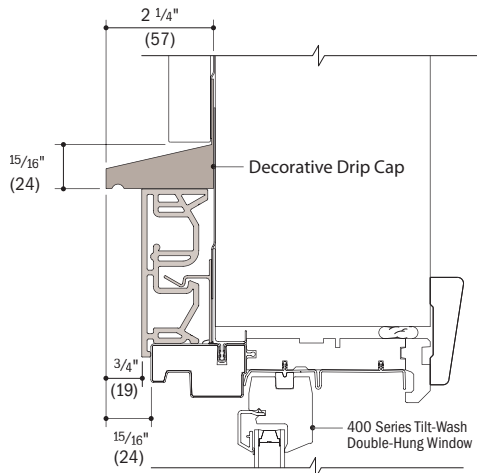


DECORATIVE TRIM CAP

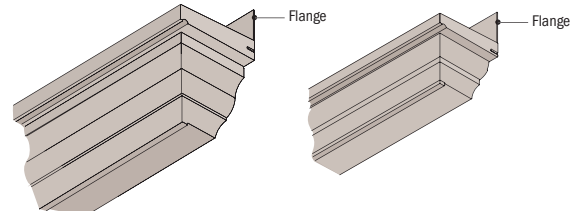


EXTERIOR TRIM DETAIL

Scale 3" = 1'-0" (1:4)

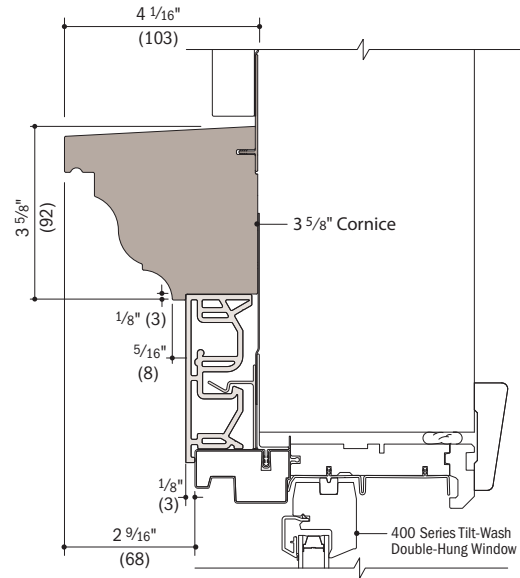


3 5/8" CORNICE & 2" CORNICE



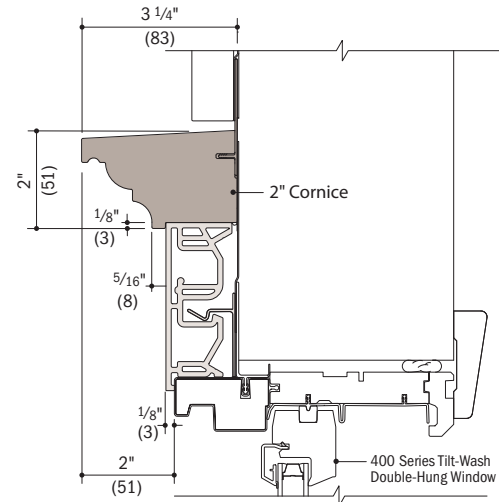
EXTERIOR TRIM DETAIL

Scale 3" = 1'-0" (1:4)



EXTERIOR TRIM DETAIL

Scale 3" = 1'-0" (1:4)



THE ENVIRONMENT HAS A BUSINESS PARTNER.

Respect for the environment is nothing new at Andersen.

For more than a century, it's been part of who we are. Our commitment to recycle and reclaim materials began simply because it was good business. Now it's part of our commitment to sustainability and responsible stewardship of all our resources. Andersen is committed to providing you with long-lasting, energy-efficient windows and doors.



Andersen makes windows and doors that meet **ENERGY STAR**[®] performance requirements in all 50 states. Andersen Corporation has earned the 2011 **ENERGY STAR**[®] Partner of the Year award.



Andersen is a charter member of the **U.S. Green Building Council** and a strong supporter of its **LEED**[®] (Leadership in Energy and Environmental Design) Green Building Rating System.



Andersen was the first window and door manufacturer with **Green Seal**[™] certified products.

WINDOWS • DOORS
Andersen[®] 

Come home to Andersen.[®]

andersenwindows.com