

# Balustrade Systems

- Low Maintenance
- Easy Installation
- Primed White (ready to install and paint)
- 25 Year Warranty



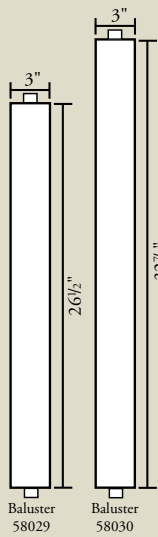
12" Round PermaCast® Columns with Tuscan Cap and Base and 7" Balustrade System

HB&G has created a unique and elegant balustrade system that can make your home stand out from the rest. These low-maintenance features are made by molding high-density urethane around structural elements in order to provide exceptional beauty,

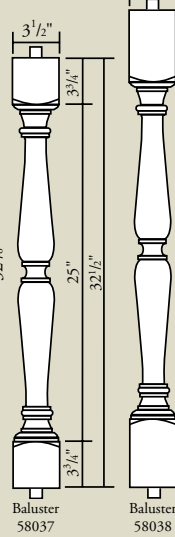
durability, and quality. Choose from three rail sizes and several baluster profiles. Curved balustrade systems are available in 10' sections. For more information about this exceptional addition to your porch, call 800-264-4HBG.

# 6" Balustrade System

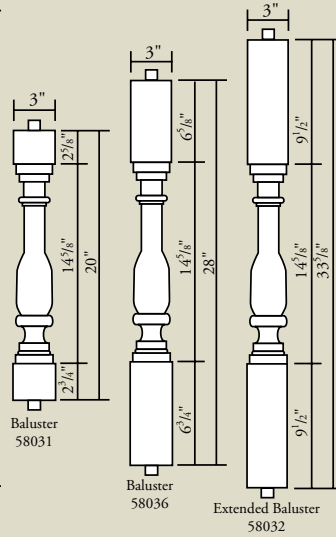
## SQUARE



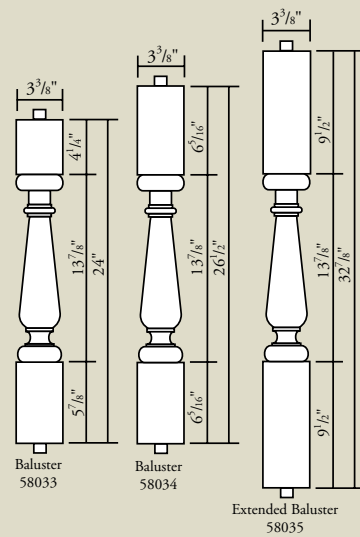
## SAFFRON



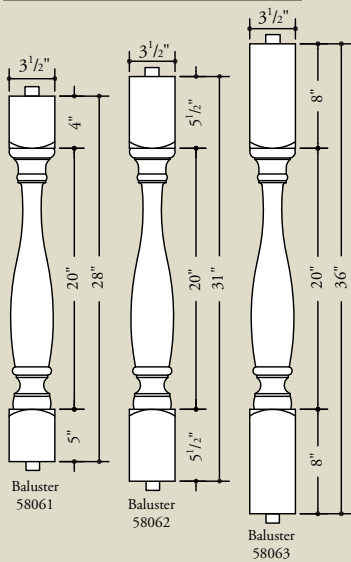
## SHANNON



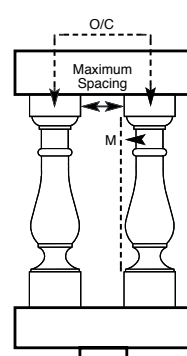
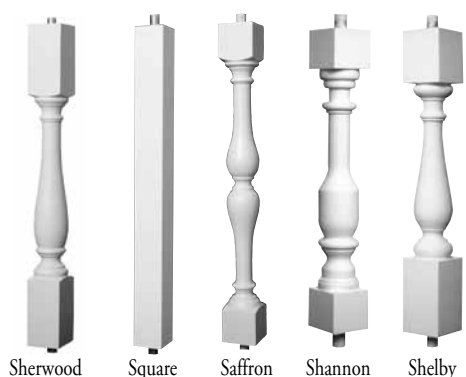
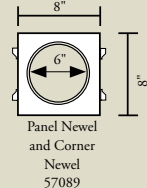
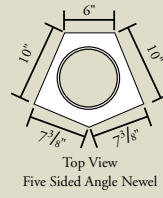
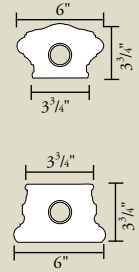
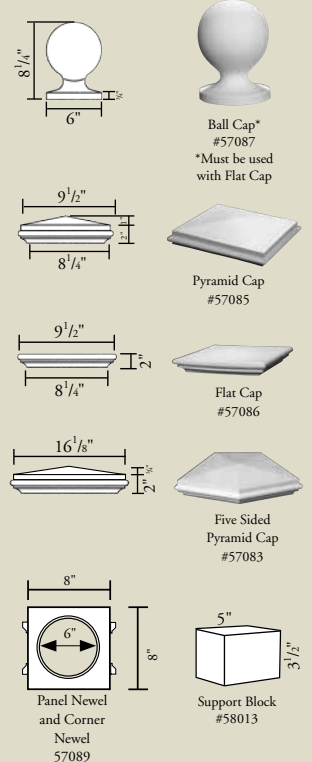
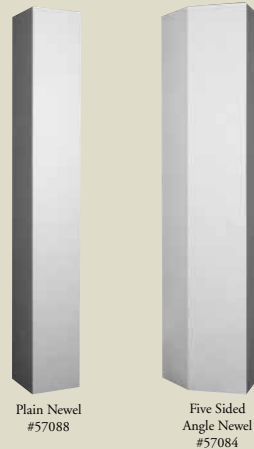
## SHELBY



## SHERWOOD



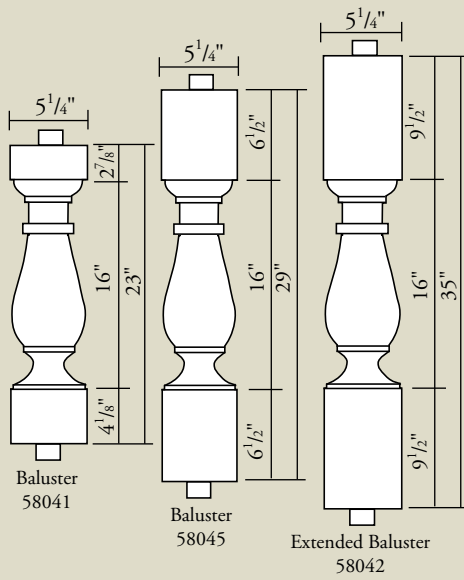
Poly molding provided loose to be installed on job site. See page 10 for panel molding styles.



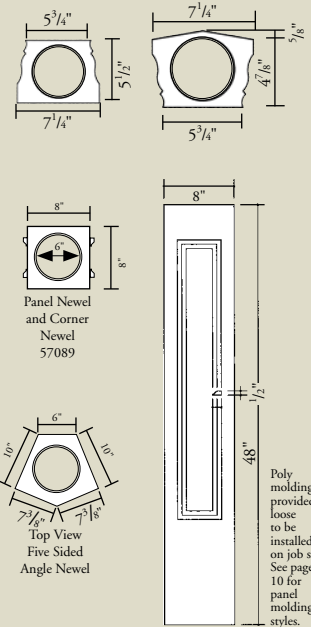
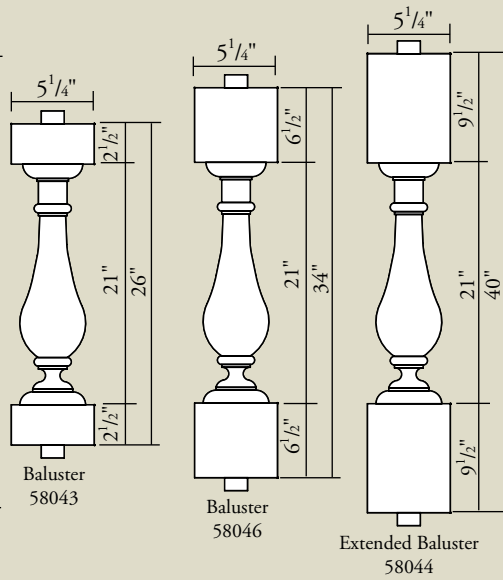
	6" Maximum Spacing		
	M	Maximum Spacing	O/C
58031	7/8"	2 1/4"	5 1/4"
58032	7/8"	2 1/4"	5 1/4"
58036	7/8"	2 1/4"	5 1/4"
58033	1"	2"	5 1/2"
58034	1"	2"	5 1/2"
58035	1"	2"	5 1/2"
58037	1"	2"	5 1/2"
58038	1"	2"	5 1/2"
58029	0"	4"	7"
58030	0"	4"	7"
58061	1 1/16"	1 3/4"	5 1/4"
58062	1 1/16"	1 3/4"	5 1/4"
58063	1 1/16"	1 3/4"	5 1/4"

# 7" Balustrade System

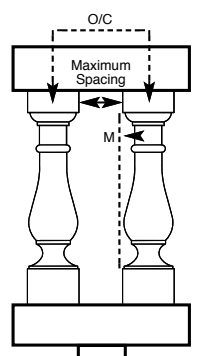
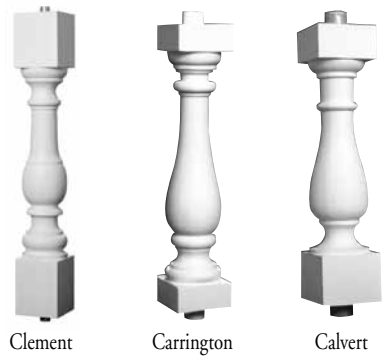
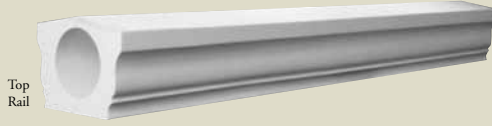
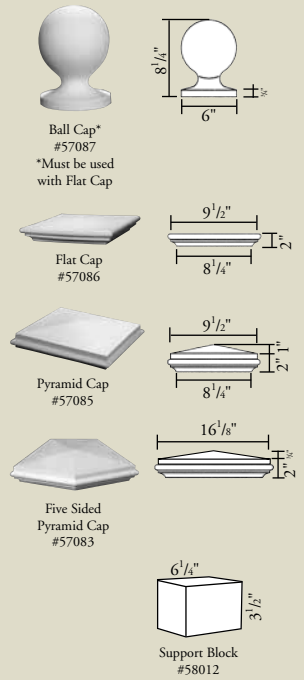
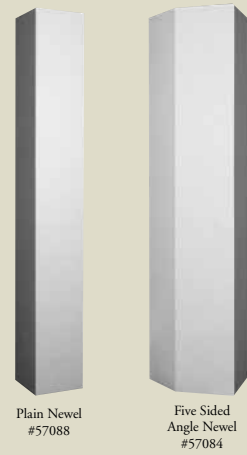
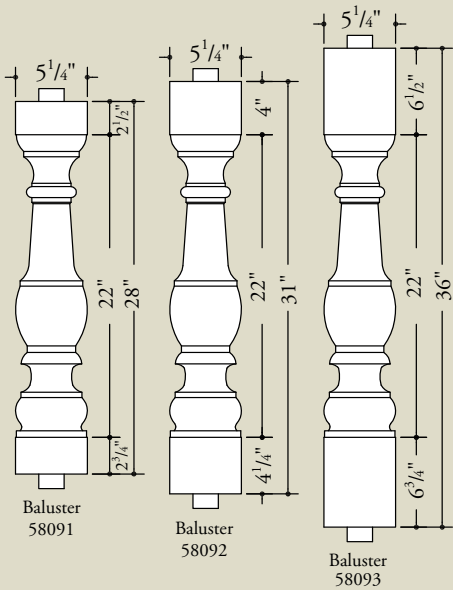
## CALVERT



## CARRINGTON



## CLEMENT



	7"		
	M	Maximum Spacing	O/C
58041	1-3/8"	1-1/4"	6-1/2"
58042	1-3/8"	1-1/4"	6-1/2"
58045	1-3/8"	1-1/4"	6-1/2"
58043	1-3/8"	1-1/4"	6-1/2"
58044	1-3/8"	1-1/4"	6-1/2"
58046	1-3/8"	1-1/4"	6-1/2"
58091	1-5/16"	1-3/8"	6-5/8"
58092	1-5/16"	1-3/8"	6-5/8"
58093	1-5/16"	1-3/8"	6-5/8"



# 12" Balustrade System

**MANDEVILLE**

**MANASSES**

Top Rail

Bottom Rail

Panel Newel and Corner Newel #57095

Plain Newel #57094

Pyramid Cap #57091

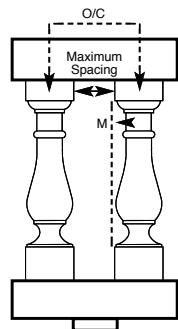
Support Block #58014

Flat Cap #57092

Ball Cap #57093

Classic Cap #57097

Poly molding provided loose to be installed on job site. See page 10 for panel molding styles.

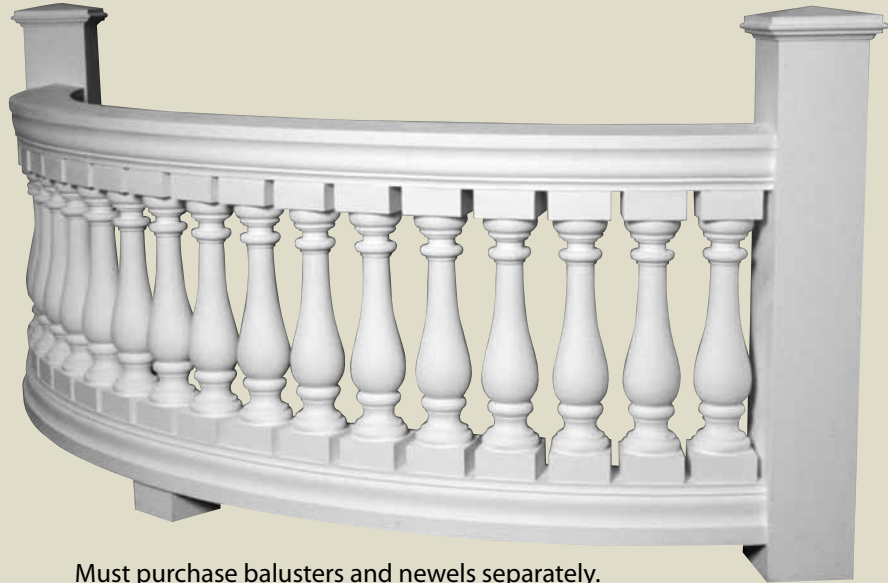


12"			
	M	Maximum Spacing	O/C
58051	1-3/4"	1/2"	7-1/2"
58052	1-3/4"	1/2"	7-1/2"
58053	1-3/4"	1/2"	7-1/2"
58054	2-3/4"	0"	7-1/2"
58055	2-3/4"	0"	7-1/2"
58056	1-3/4"	0"	7-1/2"

# Curved Balustrade System

- 6", 7" and 12" Rail Styles
- Low Maintenance
- Primed White (ready to install and paint)
- Easy Installation
- 25 Year Warranty
- Available in 60"-108" radius
- Modified Radius Available in 6" and 7" systems only

HB&G Curved Balustrade System will add an elegant finishing touch to any house. Each top and bottom rail style is available in radius from 60" to 108" in 10' lengths. (See pages 39-41 for rail styles)



Must purchase balusters and newels separately.

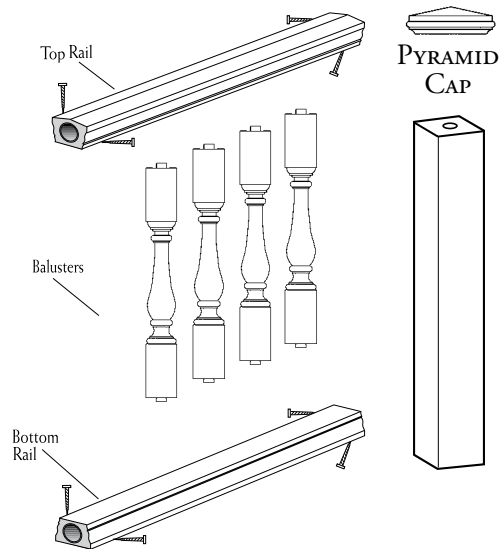
## Building Codes

HB&G recommends checking all local, state, and national building codes before the design and installation of your balustrade system.

HB&G is not responsible or liable for any balustrade system that does not meet the requirements of the governing building code in the location where the system is installed.

The space between the bottom rail and the substrate should not be more than 2".

## TYPICAL ASSEMBLY



Complete installation instructions are available on our web site or contact us via telephone or email.

NOTE: Rails are not pre-drilled.

## Warranty

HB&G Building Products, Inc. warrants that for 25 years the components in its Balustrade Systems are free from defects in material and workmanship. Assuming proper installation, HB&G Building Products, Inc. will repair or replace any component which has failed as a result of defective materials or workmanship. In the event of a claim against this warranty, proof of purchase, with date will be required to affect such a claim. Installation cost not included. HB&G Building Products, Inc. gives no other warranty expressed or implied. For complete warranty visit [www.hbgcolumns.com](http://www.hbgcolumns.com).