

Insulating **STORM** WINDOWS

Storm Window Solutions

Low-E • Exterior • Interior





Energy Efficiency

Windows are a primary source of heat loss in a home because they are both poor insulators and often a source of air infiltration. Adding insulating storm windows over existing windows greatly reduces these breaches in energy efficiency, keeping your home warmer in the winter and cooler in the summer.

The Insulating Factor

Improved energy efficiency is just the beginning. Insulating storm windows seal out drafts and significantly reduce outside noise. Once installed over your home's existing windows, insulating storm windows protect your home with an extra layer of glass.

The Impact

Insulating storm windows mount over your existing window either inside or outside your home, creating a thermal break between the existing window and storm window. Adding insulating storm windows prevents heating and cooling loss year round.

Determine Your Location

Insulating storm windows are easily installed inside or outside your home over existing windows.

Choose Your Level of Performance

Using our selector as a guide, choose the right window for your project. Whether it's high performance Low-E or clear glass, our storm windows are built to perform.

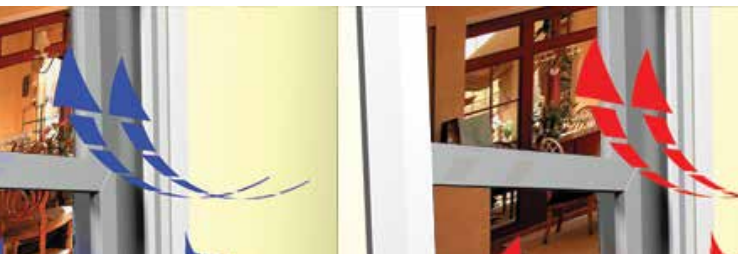
Measure Your Opening

Refer to the guide on pages 10-11 to ensure the proper fit.

Big Savings with Low-E

- Save on energy bills: up to \$35 per window per year*
- Cut energy loss by up to 60%
- Warmer in the winter, cooler in the summer
- UV protection for furniture and floors
- Department of Energy recognizes Low-E insulating storm windows as providing similar performance to that of total window replacement

* Test results based on independent lab testing of Low-E storm window when applied over wood double-hung single glazed window; savings average \$35 per storm window per year. Actual energy savings may vary.





insider™

INTERIOR Energy Solutions for your windows



Cuts Energy Loss
from the inside out:
up to **50%**
improvement
instantly*

Mount **insider™** Storm Windows inside your home to block drafts, outside noise and increase energy efficiency.

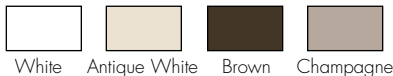
The insider Advantage

- Reduces drafts by up to 48%
- Significantly reduces outside noise
- Improves U-factor of your existing window by up to 50%

The insider Benefits

- Easily installs in any room
bedrooms – living spaces – second story – historical homes
- Removes effortlessly for easy cleaning
- Custom made for a perfect fit
- Stays in place year round or removes easily
- Slim mounting rail blends into window jamb when not in use
- Maintains a clear view of outdoors

Options available with



Mounts inside your home over most window types.



- Casement
- Picture



- Double Hung



- Slider
- Basement

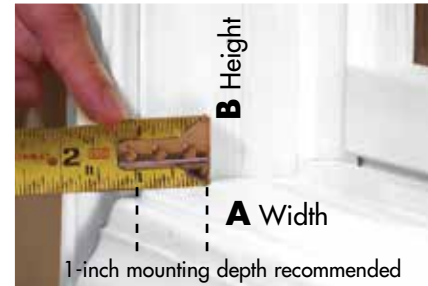
Easy Measuring

- Give exact opening size (width x height) inside window jamb
- Measure opening width (top, center, bottom)
- Measure opening height (right, center, left)
- Order using narrowest width and height



Installs in 3 Easy Steps

- Measure and mark top and sides
- Attach top and side channels inside the window jamb with screws provided*
- Insert window



* 1-inch depth is recommended for installation. Actual window depth equals 5/8". Maximum tolerance for out of square openings is 1/8"

Kit includes:

- Top mounting channel
- Side channels (2)
- Installation screws
- Window panel



Allow 3 weeks for delivery.
Orders are custom; once placed cannot be cancelled.
Is your window near a door? a tub? the floor? Check your local building codes for tempered glass requirements.



* Results based on independent lab testing when applied over wood double hung single glazed window.



Exceptional features for ultimate performance.

Glass Type



- High Performance Low-E Coating
- Cuts energy loss by up to 60%¹ and reduces heat passing through
- Protects floors and furniture from fading

Wind Resistance

- Built to withstand winds up to 95 mph
- Double wall frame creates an exceptionally tight fit
- Operating sash and finger pulls lock in place

Air Infiltration

- Reduces air infiltration 4X the rate of our Silver Window
- Interlocking sash adds stability and prevents bowing
- Bottom expander creates a tight fit²
- Marine glazing for optimum seal

Weatherstrip

- Double weatherstrip on both sides of sash

Frame Strength

- Double wall tubular frame reinforces joints and adds strength

Warranty

- LIMITED LIFETIME WARRANTY for your peace of mind
- Meets AAMA³ Certification Standards

¹ Results based on independent lab testing of Low-E window when applied over wood double-hung single glazed window. Actual energy savings may vary.

² Expander not available with slider option.

³ American Architectural Manufacturing Association



Exterior Storm Windows

Built to fit your opening and style preference.



Double Hung Half Screen
L203E **Low-E**
L203 Clear
Available in Flush Mount



Double Hung Full Screen
L213E **Low-E**
L213 Clear



Slider Full Screen
L613E **Low-E**
L613 Clear



Slider Half Screen
L603E **Low-E**
L603 Clear
Available in Flush Mount



Picture Window
L503E **Low-E**
L503 Clear
Available in Flush Mount



Slider Picture
L623E **Low-E**
L623 Clear
Available in Flush Mount



Excellent for three-season rooms.

Our top performing window is built to last.

Glass Type



- High Performance Low-E Coating
- Cuts energy loss by up to 60%¹ and reduces heat passing through
- Protects floors and furniture from fading

Wind Resistance

- Built to withstand winds up to 80 mph
- Bow guides prevent movement in severe winds
- Marine glazing for optimum seal

Air Infiltration

- Reduces air infiltration 2X the rate of our Bronze Window
- Interlocking sash adds stability
- Bottom expander creates a tight fit²
- Marine glazing for optimum seal

Weatherstrip

- Woolpile weatherstripping adds thermal barrier

Frame Strength

- Riv cap corners and center stabilizer bar add strength

Warranty

- LIMITED LIFETIME WARRANTY for your peace of mind
- Meets AAMA³ Certification Standards



Double Hung Half Screen
L202E Low-E
L202 Clear



Slider Half Screen
L602E Low-E
L602 Clear



Picture Window
L502E Low-E
L502 Clear

For a more comfortable home.

Glass Type



- High Performance Low-E Coating
- Cuts energy loss by up to 60%¹
- Protects floors and furniture from fading

Air Infiltration

- Bottom Expander creates a tight fit
- Marine glazing for optimum seal

Weatherstrip

- Woolpile weatherstripping adds thermal barrier

Frame Strength

- Maintenance-free heavy duty aluminum

Warranty

- LIMITED LIFETIME WARRANTY for your peace of mind



Two Track Half Screen
L201E Low-E
L201 Clear



Three Track Half Screen
L301E Low-E
L301 Clear



Picture Window
L501E Low-E
L501 Clear

¹ Results based on an independent lab testing of Low-E window when applied over wood double-hung single glazed window. Actual energy savings may vary.

² Expander not available with slider option.

³ American Architectural Manufacturing Association



Measuring Guide

EXTERIOR Energy Solutions for your windows

Exterior Storm Windows

Storm window sizes are determined by measuring your existing **window opening** as shown in Figure 1. Record opening width A first and opening height B second. Round down to the nearest 1/8".

LARSON® Storm Windows can be installed Overlap (Figure 2 outside mount) or Blindstop (Figure 3 inside mount), or you can have the windows made to the exact tip-to-tip measurement desired.

Record Width A

Record Height B

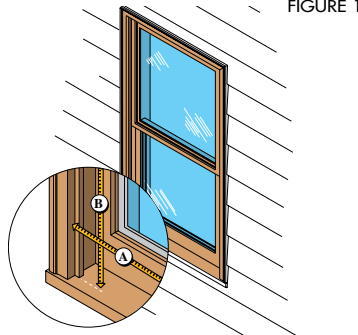


FIGURE 1

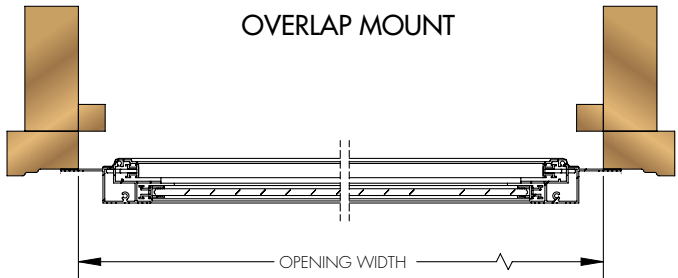


FIGURE 2

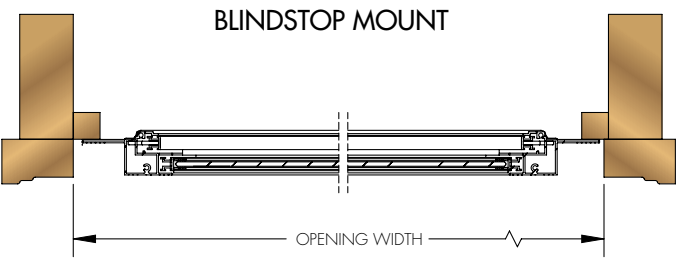


FIGURE 3

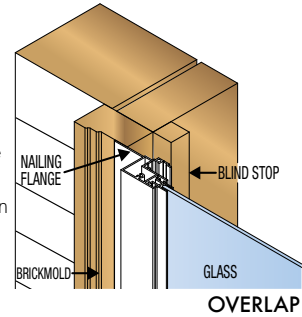
Ordering Exterior Insulating Storm Window

Exact Tip-to-Tip

Tell us what your storm window measures tip-to-tip with or without the expander, and we will manufacture the window to your specifications.

Overlap Installation "outside mount"

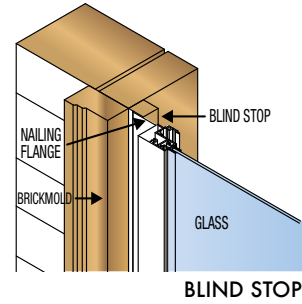
Measure your existing window opening listing width first and height second. One inch will automatically be added to the width and 3/4" to the height allowing an overlap for a proper fit.



OVERLAP

Blind Stop Installation "inside mount"

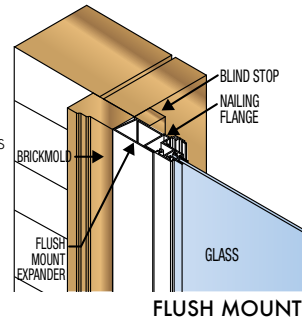
Measure your existing window opening listing width first and height second. The window will be automatically downsized to ensure proper clearance and fit.



BLIND STOP

Flush Mount Installation Gold Series Windows

The Flush Mount Window features an expander that goes all the way around the window. In addition to great benefits of the GOLD Series storm windows, the flush mount brings the outside surface of the storm window flush with the prime window casing. Measure existing window opening and record width first and height second. Necessary unit size adjustments will automatically be made from opening measurements.



FLUSH MOUNT

Cottage Style (select models)

Cottage style windows allow the meeting rail to align with the prime window meeting rail. Take a third measurement from the top of window opening to center of prime window meeting rail.

Patio Storm Windows are measured tip-to-tip.

insider™ Storm Windows refer to page 5.



**Installs easily
over your
existing
patio door**

Adding a LARSON® Patio Storm Door:

- Reduces heat loss in the winter
- Minimizes air infiltration
- Insulates your patio door and saves energy
- White or Earth-tone brown
- Standard and custom sizes

Adding a LARSON® Sidelite:

- Elegant protection for your sidelite or transom
- Available in two styles
- Tempered glass
- Overlap and inside mount options
- Colors and sizes available to match your door



Homeowner Helpline: 1-888-483-3768

www.LARSONstormwindows.com

StormWindowsSaveMoney.com



Larson Manufacturing Company, Brookings, South Dakota, USA. LARSON® reserves the right to alter or discontinue any model specification or price without notice. Window colors shown are approximate; actual color may vary. Is your window near a door? a tub? the floor? Check your local building codes for tempered glass requirements. 0951280 6.13