

Your Doorway to a Beautiful Home



Scan this QR code
with your smart phone



STORM DOOR BROCHURE

WHY MILLIKEN MILLWORK STORM DOORS?

For almost 60 years, Milliken Millwork has offered valuable products to our customers at competitive prices. Storm Doors are the latest addition to the family of Milliken Millwork products. They are stylish, durable and innovative and offer numerous benefits to both you and your family. Whether you want to enhance your entryway, let the cool summer breeze in or keep the cold winter air out, our Storm Doors will satisfy every need.

Why Do Storm Doors Traditionally Fail?

1 Poor Corner Construction...

MMI SOLUTION



We offer the strongest corner construction available – Heliarc-Welded Corners

2 Low Quality Hinges...

MMI SOLUTION



Continuous circle on hinge barrel means added strength

We offer the strongest hinge system on the market allowing for 100% perfect alignment

3 Low Quality Screens...

MMI SOLUTION



We offer a heavy extruded frame with **SOLID** aluminum corners

4 Poor Weatherstrip Material...

MMI SOLUTION



We use a pile-type brush sweep for a tight, quiet closing door free from seal gaps

Please see our limited lifetime storm door system warranty in this brochure or on our website - www.millikenmillwork.com

Reliable and Strong Storm Doors...PREHUNG

- All of our storm doors come prehung and easy to install
- Heliarc-welded corners, create the strongest part of the door
- The hinges have an exclusive, 4 hinge, tubular design which interlocks into the door frame, eliminating the tendency of most hinges to pull away from the door, eliminating door sag
- Contoured aluminum insert retaining clips, no plastic or vinyl strips that crack or split
- We offer numerous choices of the latest hardware styles and finishes that are attractive and durable
- We provide a high quality storm door finish in a multitude of colors that can match your exterior door. We also offer a vast array of the latest door styles.
- Limited Lifetime Warranty (See inside back page)

Prehung Storm Doors



Our prehung storm door is the strongest, most stable and durable storm door unit in the industry. All Milliken Millwork storm doors come prehung

Powder Coating System



Heavy coated resins are electrostatically applied and oven cured on an automated line. More durable and fade resistant than solvent based paints

Cam Lock Screen Tension Clamps and Retaining Clips

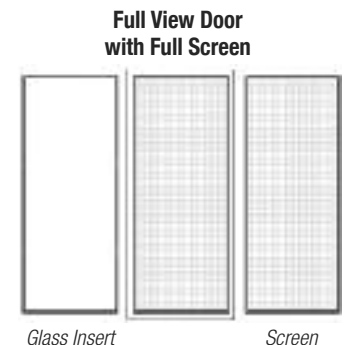
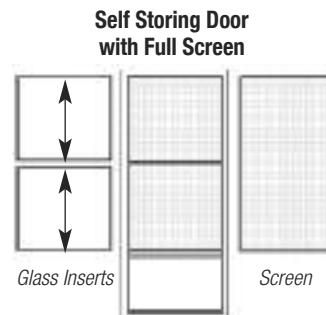
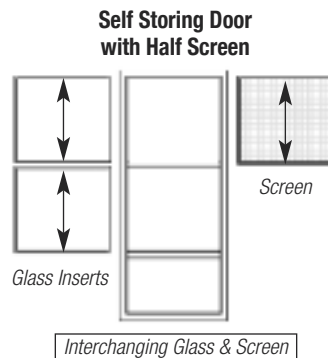


For a screen with no middle bar for a better view with a firm and tight hold on your storm door

Self Storing and Full View Storm Doors

Self Storing Storm Doors offer ventilation year round. From the inside, glass panels (top or bottom) adjust up or down for changes in the weather or protection against damage to the screen from children or pets. Either the half or full screens stay in the door year-round.

Heavy duty screens and frames are made of quality aluminum and twice the weight as traditional frames. Full view screens available without distracting support bar running through the middle creating a full unobstructed view.



All storm doors come prehung with heavy duty screens and glass inserts

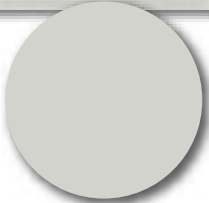
HARMONY STORM DOOR SERIES

Premium Model



Premium Model

- Door extrusion/frame is smooth
- Door thickness is 1-3/8"
- Kick resistant panels are .060 thick and hardened (smooth only, no embossing)
- Bottom expander mounts on sides of door
- 10 powder coat paint finishes available - a process that produces a 3 times heavier, harder, more durable, fade resistant finish that is more environmentally friendly than conventional solvent based paints
- Wide(er than Classic) Door Frame that covers glass/screen insert
- Adjustable hydraulic closer which is stronger than mutable air closers



Smooth Face



Harmony Storm Doors are 30% thicker than other standard storm doors

Styles Available:



2100 Full View Screen



2108 Full Screen



21 SSFS Self Storing with Full Screen

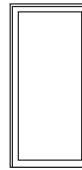


21 SS08 Self Storing with Interchanging Glass & Screen

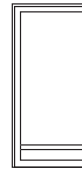


21 SS Self Storing with Interchanging Glass & Screen

Style Configurations:



2100



2108



21SSFS



21SS08



21SS

Harmony Handle Sets - Exterior & Interior



Curly Lever (Exterior)



Pull Handle (Exterior)



Eternity Mortise Lock (Exterior & Interior)



Paddle Handle (Interior)

Paddle handles will match hardware color when available

Standard lock location is 39-1/2" from top of door

Harmony Handle Sets Stock Finishes	Black	White	Satin Nickel	Brass	Oil Rubbed Bronze
	Curly Lever	✓*	✓	✓	✓
Pull Handle			✓	✓	
Eternity Mortise Lock			✓	✓	
Paddle Handle	✓	✓	✓	✓	

* Curly Lever Black Finish is actually called Black Chrome

Harmony Door Stock Colors



Black



White



Beige



Wicker



Sandal



Burgundy



Redwood



Bronze



Hunter Green



Brown

Entry Door and Storm Door finishes will vary slightly based on difference in material and finishing processes

CLASSIC STORM DOOR SERIES



Standard Model

- Door extrusion/frame has grooves on the face (ribbed)
- Door thickness is 1-1/4"
- Kick panels are .040 thick and in a softened state for embossing, available on certain models
- Bottom expander mounts on interior of door
- Astragal for double door 1-1/4" thick with grooves on face to match frame (ribbed)
- Available in 4 Powder coat paint finishes



Ribbed Face



Styles Available:



100
Full View Screen

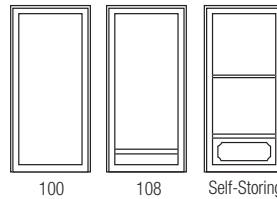


108
Full Screen



Self Storing with
Interchanging Glass
& Screen

Style Configurations:



100 108 Self-Storing

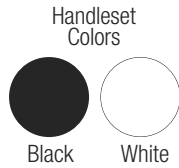
Classic Handles - Exterior & Interior



Push Handles
(Exterior)



Paddle Handle
(Interior)



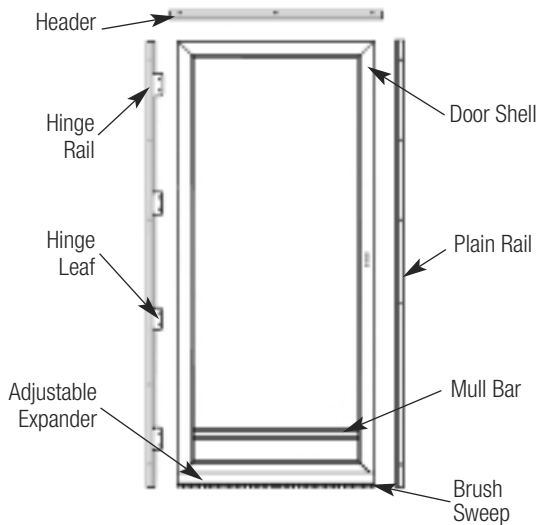
Handleset
Colors

Black

White

Standard lock location is 39-1/2" from top of door

Anatomy of our Storm Door



Classic Door Stock Colors



Black



White



Brown



Wicker

Entry Door and Storm Door finishes will vary slightly based on difference in material and finishing processes

Harmony & Classic Double Storm Doors



We have an engineered self contained astragal system that is specifically designed for double door treatments

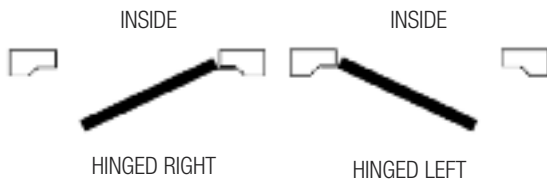
HINGING, MEASURING & LIMITED LIFETIME WARRANTY



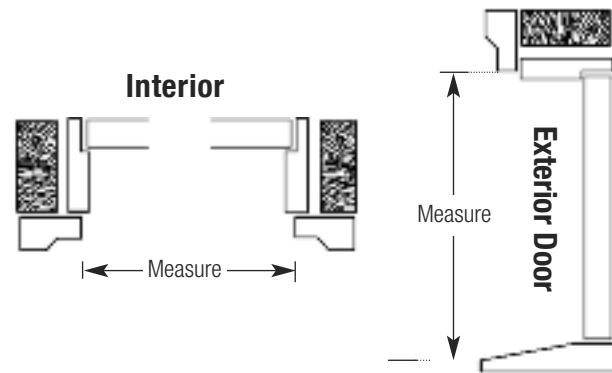
Door Size	Width		Height	
	Minimum Opening	Maximum Opening	Minimum Opening	Maximum Opening
30" x 80" Single Door	29-3/4"	30-3/4"	79-3/4"	80-3/4"
32" x 80" Single Door	31-3/4"	32-3/4"	79-3/4"	80-3/4"
36" x 80" Single Door	35-3/4"	36-3/4"	79-3/4"	80-3/4"
60" x 80" Double Door	59-1/2"	61-1/2"	79-3/4"	80-3/4"
64" x 80" Double Door	63-1/2"	65-1/2"	79-3/4"	80-3/4"
72" x 80" Double Door	71-1/2"	73-1/2"	79-3/4"	80-3/4"

All sizes are opening sizes. Actual door shell sizes are 3/4" less in width and 1" less in height.

Storm Door Hinging



How to Measure



Milliken Millwork, Inc. 
WHOLESALE DISTRIBUTORS

Storm Door System Limited Lifetime Warranty

Milliken Millwork, Inc. (referred to hereafter as 'MMI') welded corners are warranted not to separate under normal residential use. MMI hinges are warranted not to become inoperative or break when properly installed with jamb adjusting screws. MMI will warranty any frame or insert corner against breakage. MMI warrants for one (1) year locks, closers, and handles.

Service under this warranty is available by advising MMI or one of its dealers after discovery of defect.

Upon return to MMI, we will upon inspection and at our option, repair or replace components or parts at no charge. Manufacturer retains the option to use newer parts when outdated parts are no longer in use.

This warranty does not apply with respect to:

- A. Labor, including removal, installation, pick up, delivery, shipping, crating.
- B. Component parts or labor supplied by parties other than MMI
- C. Damaged as a result of improper installation
- D. Any broken glass or torn screens
- E. Component parts which have been bent, dented, twisted, by improper use, negligent operation, or deliberate destruction.

F. Total color match or touch-up of replacement or repaired components.

G. Products distributed by but not manufactured by MMI.

H. Products that have been modified or used for purposes other than a residential storm door.

Storm products are not recommended or warranted as a water tight enclosure.

Identification to verify that the storm door came from MMI or a dealer of MMI storm door product when presenting for warranty coverage in order to identify product to make sure it is, in fact, an MMI storm door.

MMI shall not be liable for consequential damages. No other express warranty is given.

All implied warranties of merchantability and fitness for a particular purpose are hereby disclaimed.

Some States do not allow the exclusion or the limitation of accidental or consequential damages, the forgoing or exclusion may not apply to you.

This warranty gives you specific rights, and you may also have other rights which vary from State to State.

Your Doorway to a Beautiful Home



Scan this QR code
with your smart phone

www.millikenmillwork.com



6361 Sterling Drive North
Sterling Heights, MI 48312
586-264-0950 • 800-686-9218
Fax: 586-264-5430



400 Circle Freeway Drive
Cincinnati, OH 45246
513-874-6771 • 800-215-3770
Fax: 513-870-0242



172 Plummer Road
Sidman, PA 15955
814-487-7800 • 800-452-0251
Fax: 814-487-7850